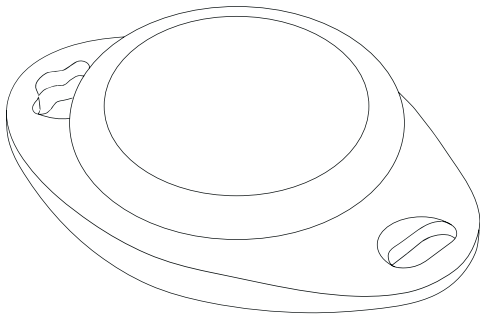


# gemini-e mounting guide

(bluetooth low energy) (BLE)

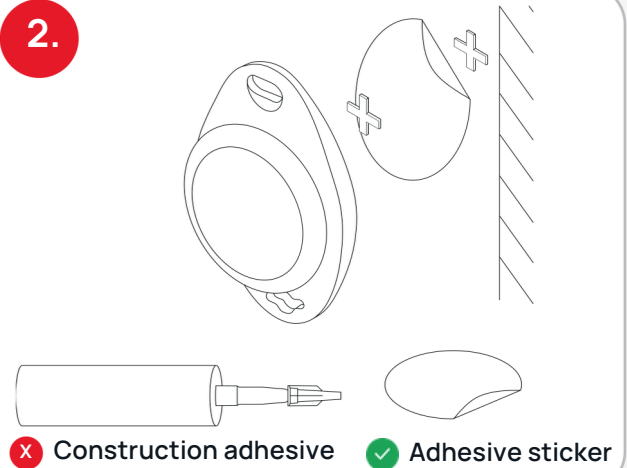


1.



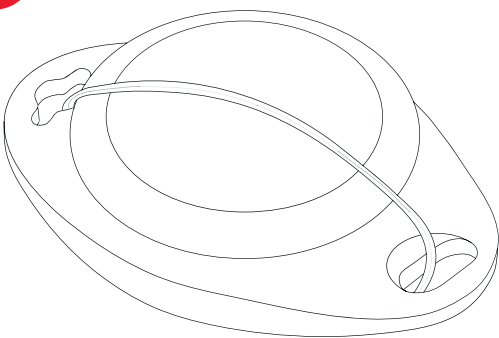
Placing: Directly place the monitor on the surface such as table, shelf.

2.



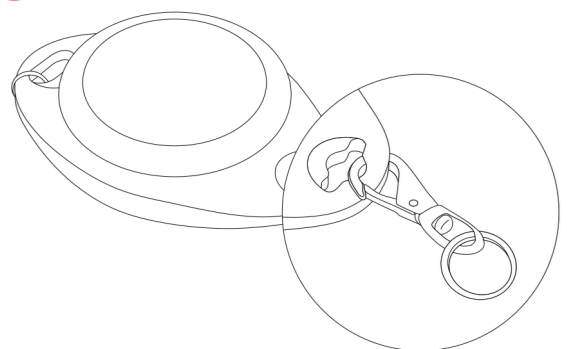
Using the adhesive sticker: Remove the release liner from one side of the adhesive sticker to stick it on the back of the device, then remove the release liner from the other side to stick it at the desired place on the wall.

3.



Zip tie: Thread a zip tie through both device holes and around the object you wish to secure the device to. Use zip ties on as flat a surface as possible, and avoid excessively pulling on the zip tie, as this could bend the casing.

4.



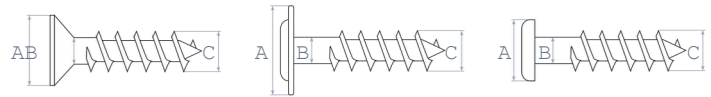
Hanging: Attach lanyard's snap hook to one of the holes.

# gemini-e mounting guide

**5.**

Using screws: Place the device on a flat surface and secure it using two M4-M5 size screws. Ensure that the force applied when screwing does not exceed 6 Nm.

**x** Do not utilize an impact driver for this purpose. Avoid using nails or rivets for securing the device, as impact force from tools may damage the casing.



**x** Rivets

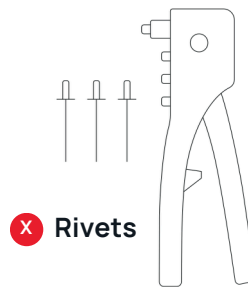
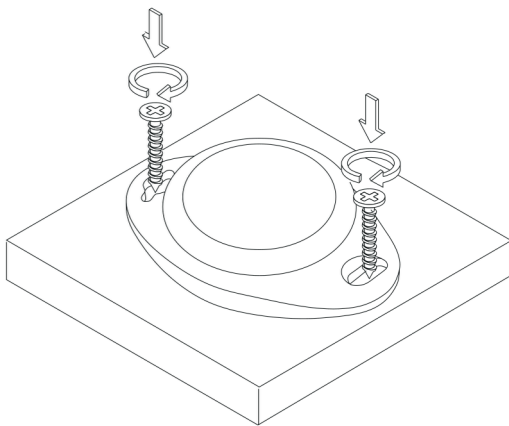
**✓** Round washer head

**✓** Pan head

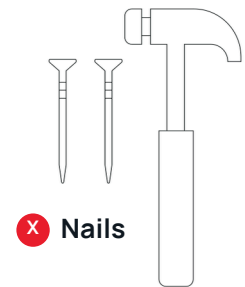
**A: 7-8.5 mm**

**B: 4-5 mm**

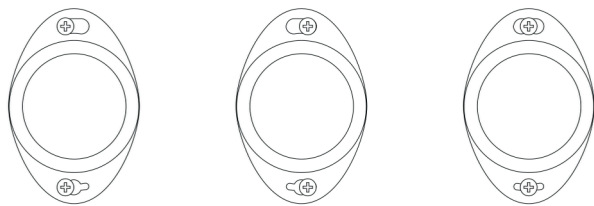
**C: 4-5 mm**



**x** Rivets



**x** Nails

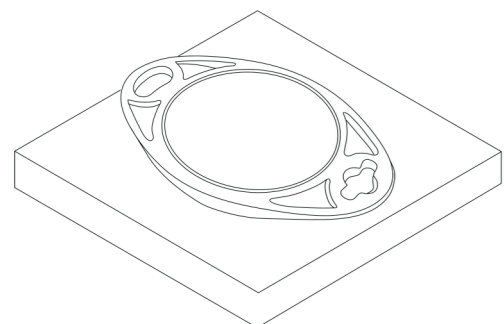


**x** Not centered **x** Not centered **✓** Centered

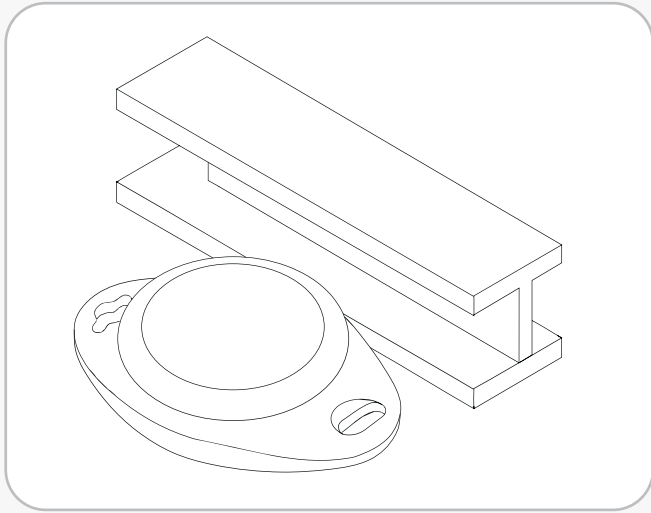
\*If the equipment gets warm or is likely to be bumped or knocked, do not rely on the adhesive sticker. Use cable ties or a screw-and-bolt fixing to secure the tag.

**6.**

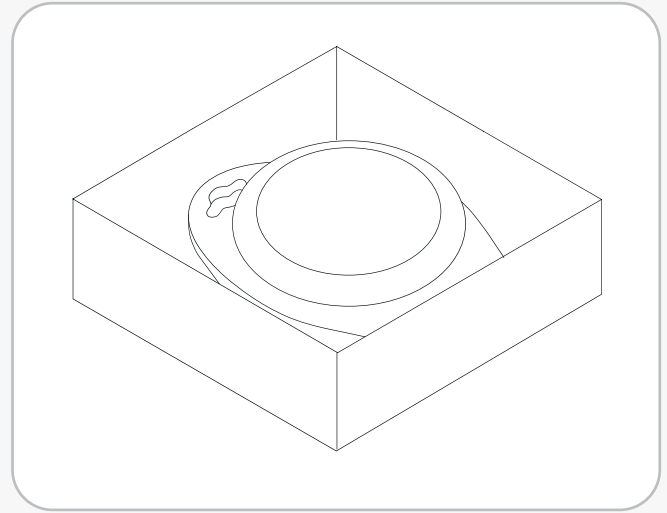
- x** Do not mount inverted with ears up
- x** Do not mount inverted on metallic surfaces
- x** Do not place inside metal boxes.



# gemini-e mounting guide



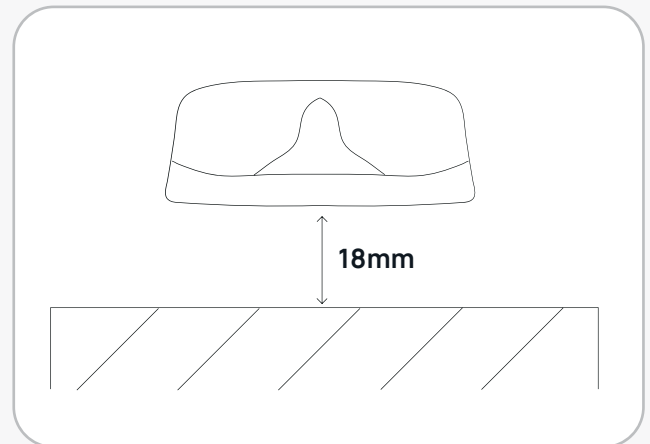
**X** Do not orient where sensors can be covered by metal.



**X** Do not place inside metal boxes.

If possible, mount on plastic. Cover with plastic or leave completely uncovered (especially avoid covering with metal if possible).

Ideally, keep an 18 mm gap between the sensor and metal.



**7.**

- ✓ Color guide for scanning device installation.  
**Green** – Perfect area for installation **Blue** – Optimal area for installation **Red** – Poor area, avoid installation
- ✓ If possible, orient beacon or sensor towards scanning device.

